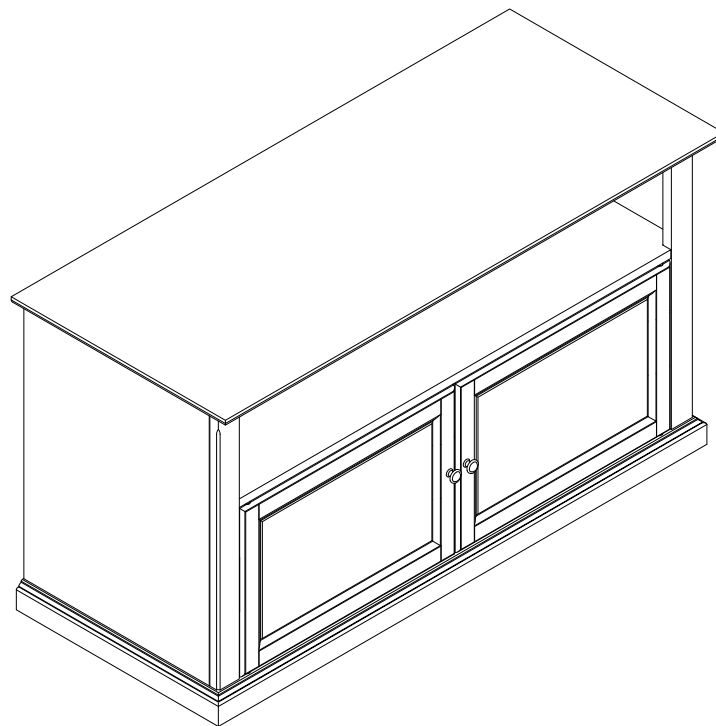
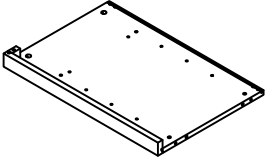
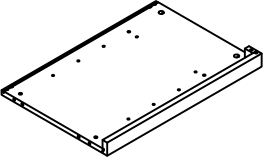
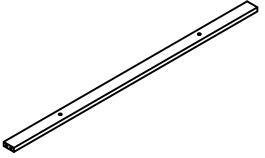
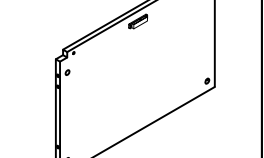
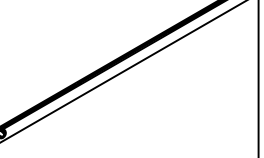
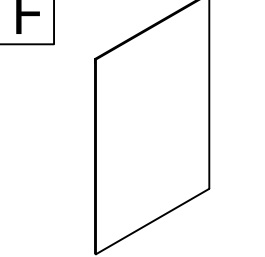
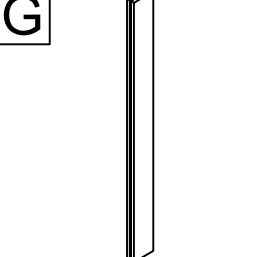
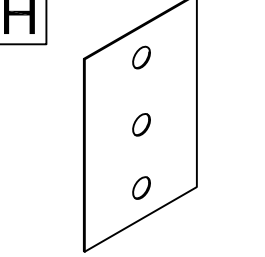
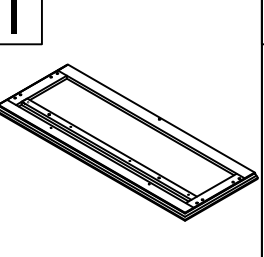
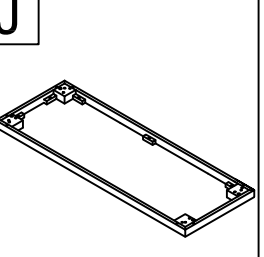
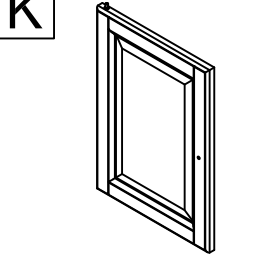
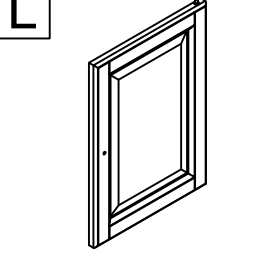
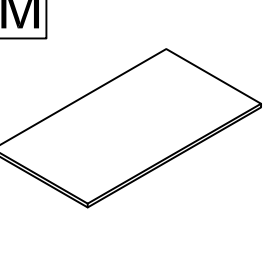
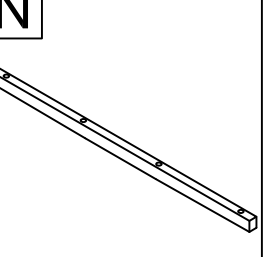




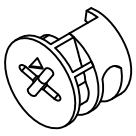
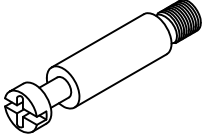
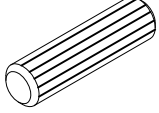


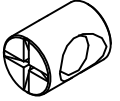
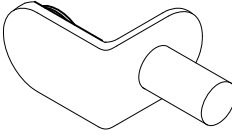

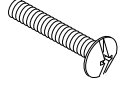
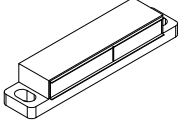
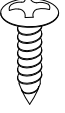
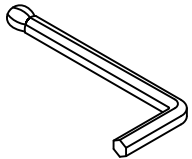

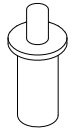
42" TV Stand  
CF100142



# PART LIST

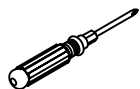
<p><b>A</b></p> 	<p><b>B</b></p> 	<p><b>C</b></p> 	<p><b>D</b></p> 	<p><b>E</b></p> 
<p>Left Panel 1 PC</p>	<p>Right Panel 1 PC</p>	<p>Front Top Rail 1 PC</p>	<p>Fixed Shelf 1 PC</p>	<p>Back Rail 2 PCS</p>
<p><b>F</b></p> 	<p><b>G</b></p> 	<p><b>H</b></p> 	<p><b>I</b></p> 	<p><b>J</b></p> 
<p>Back Panel 2 PCS</p>	<p>Back Horizontal Rail 2 PCS</p>	<p>Middle Back Panel 1 PC</p>	<p>Top Panel 1 PC</p>	<p>Bottom Panel 1 PC</p>
<p><b>K</b></p> 	<p><b>L</b></p> 	<p><b>M</b></p> 	<p><b>N</b></p> 	
<p>Left Door Panel 1 PC</p>	<p>Right Door Panel 1 PC</p>	<p>Adjustable Shelf 1 PC</p>	<p>Support Rail 1 PC</p>	

# HARDWARE LIST

<b>#1</b> 	<b>#2</b> 	<b>#3</b> 	<b>#4</b> 	<b>#5</b> 
Cam Lock 14 PCS (Extra 2)	Cam Bolt 14 PCS	Wood Dowel 30 PCS	Screw 2 PCS (Extra 1)	Hex Socket Head Bolt 4 PCS
<b>#6</b> 	<b>#7</b> 	<b>#8</b> 	<b>#9</b> 	<b>#10</b> 
Barrel Nut 4 PCS	Shelf Holder 4 PCS	Knob 2 PCS	Round Head Bolt 2 PCS	Double Magnet 1 PC
<b>#11</b> 	<b>#12</b> 	<b>#13</b>  1-1/4" * Ø4 * D8mm	 (Spare Part)	
Round Head Screw 2 PCS (Extra 1)	Allen Wrench 1 PC	Long Screw 4 PCS (Extra 1)	Pin Hinge (Extra 2)	

## ADDITIONAL TOOLS (Not Provided)

Note: It is not recommended to use power tools during assembly.

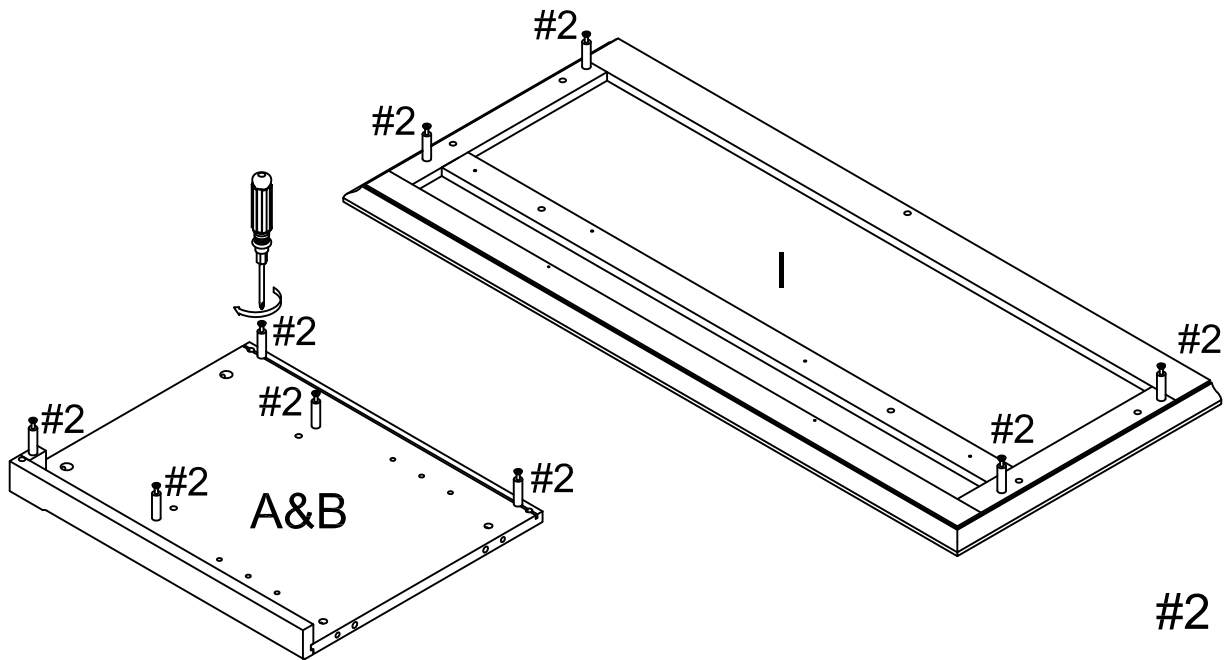


Phillips Head Screwdriver

Note: Wood dowels are intended for alignment. Additional clearance between wood dowel and pre-drilled hole is intentional for ease of assembly.

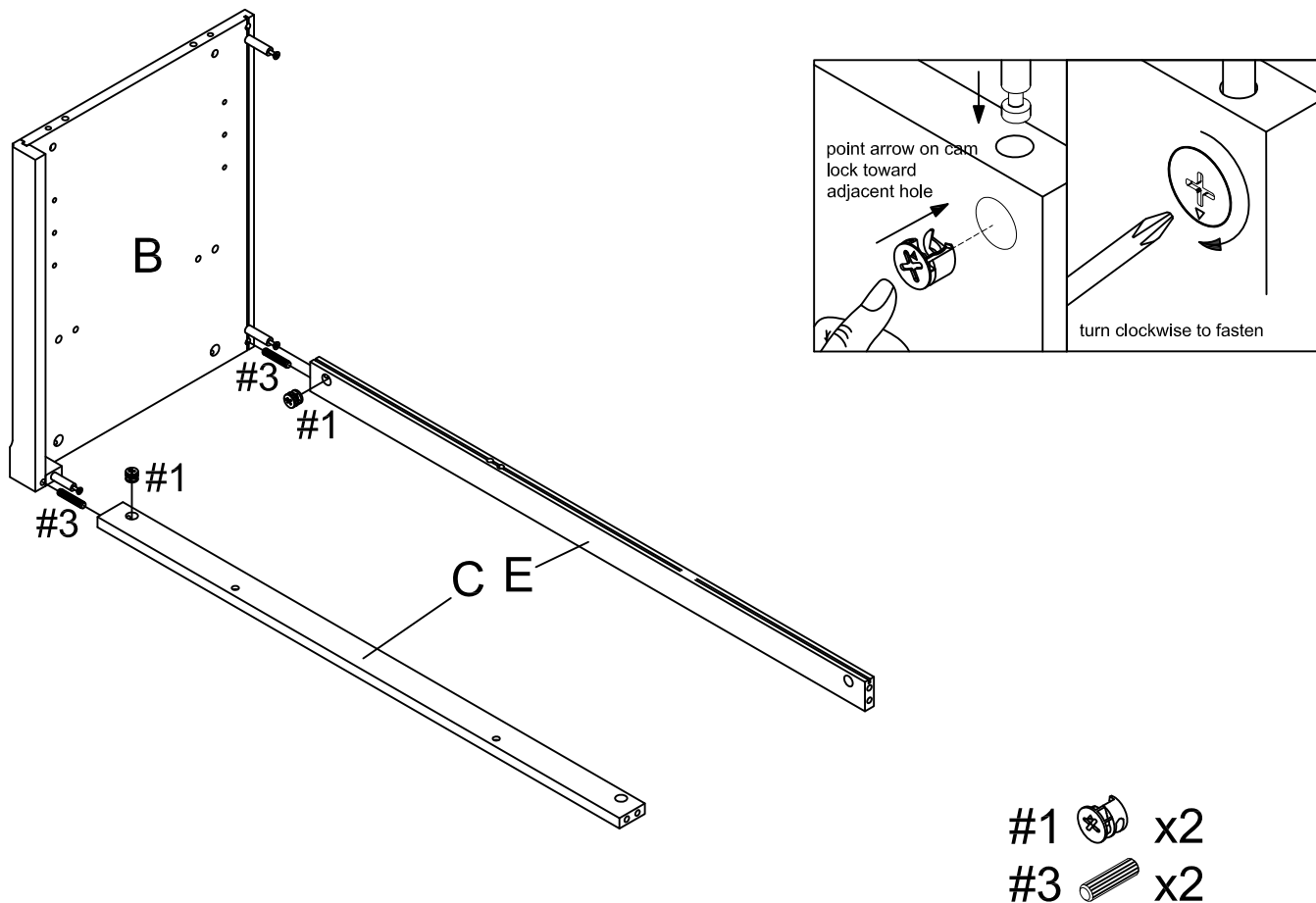
Step 1. Insert cam bolts (part #2) into left panel (part A), right panel (part B) and top panel (part I) using phillips head screwdriver.

NOTE: Do not overtighten cam bolts. Stop tightening once threads on cam bolt are no longer visible.

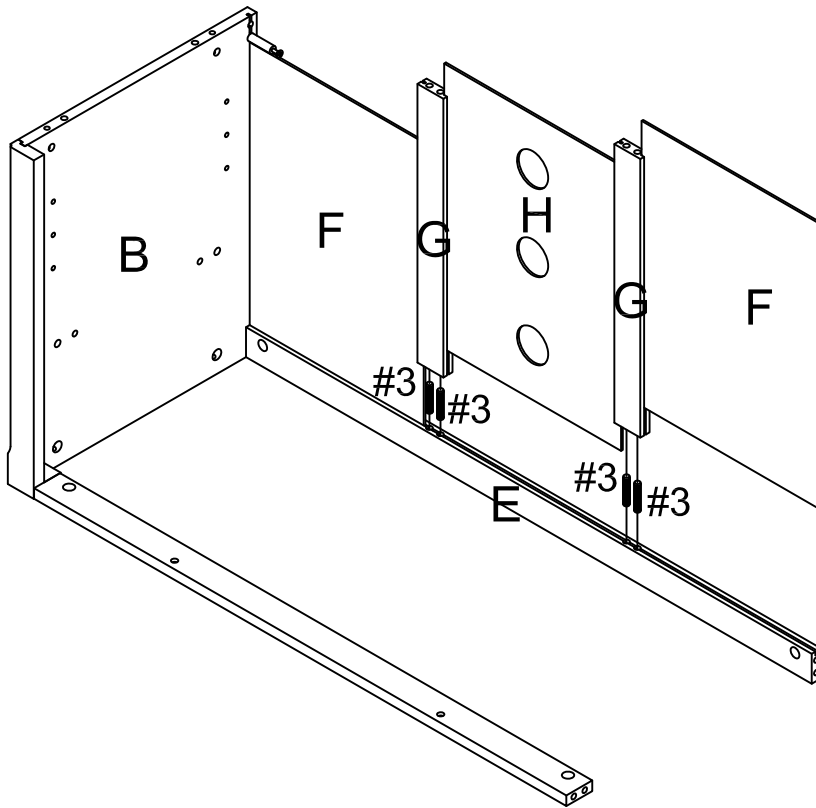


Step 2. Attach right panel (part B) to front top rail (part C) and back rail (part E) using cam locks (part #1) and wood dowels (part #3).

NOTE: Cam locks must rotate a full 180°. See pictured insert.



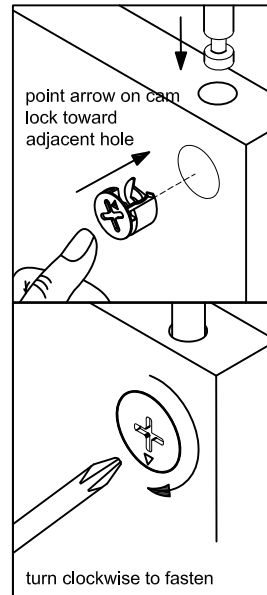
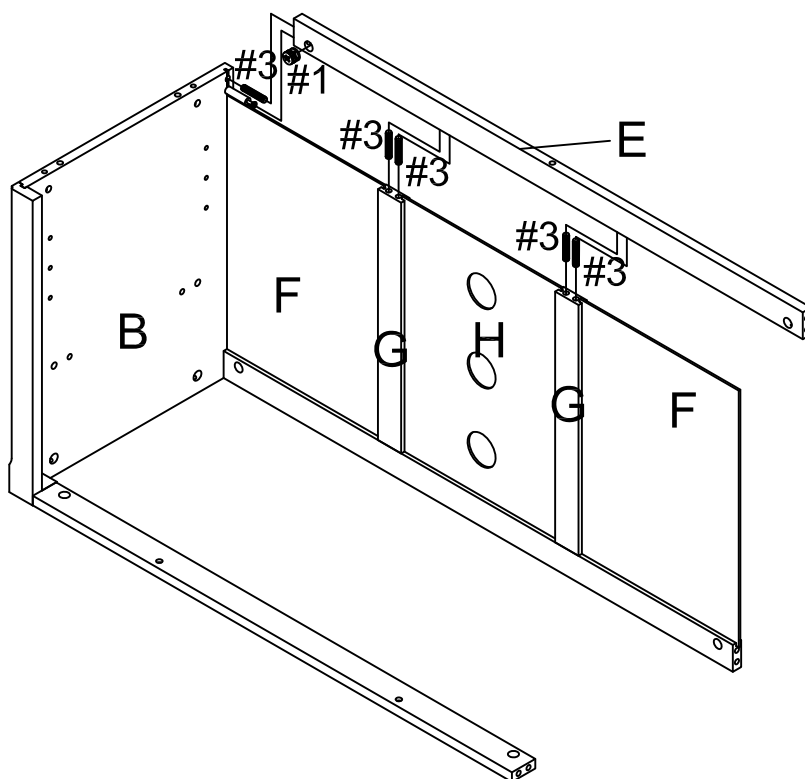
Step 3. Attach back horizontal rails (part G) to back rail (part E) using wood dowels (part #3). Slide back panels (part F) and middle back panel (part H) into the grooves of back horizontal rails (part G).





#3  x4

Step 4. Attach back rail (part E) to assembled unit (parts B, F, G & H) using cam lock (#1) and wood dowels (part #3).

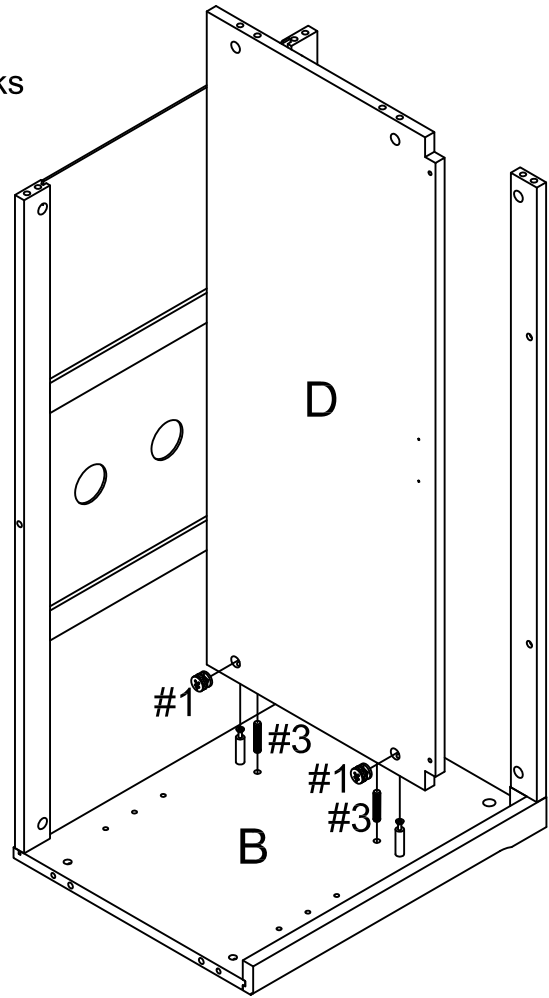
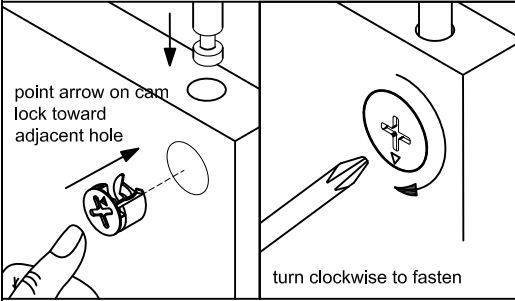
NOTE: Cam locks must rotate a full 180°. See pictured insert.





#1  x1  
 #3  x5

Step 5. Carefully turn unit its side. Attach fixed shelf (part D) to right panel (part B) using cam locks (part #1) and wood dowels (part #3).

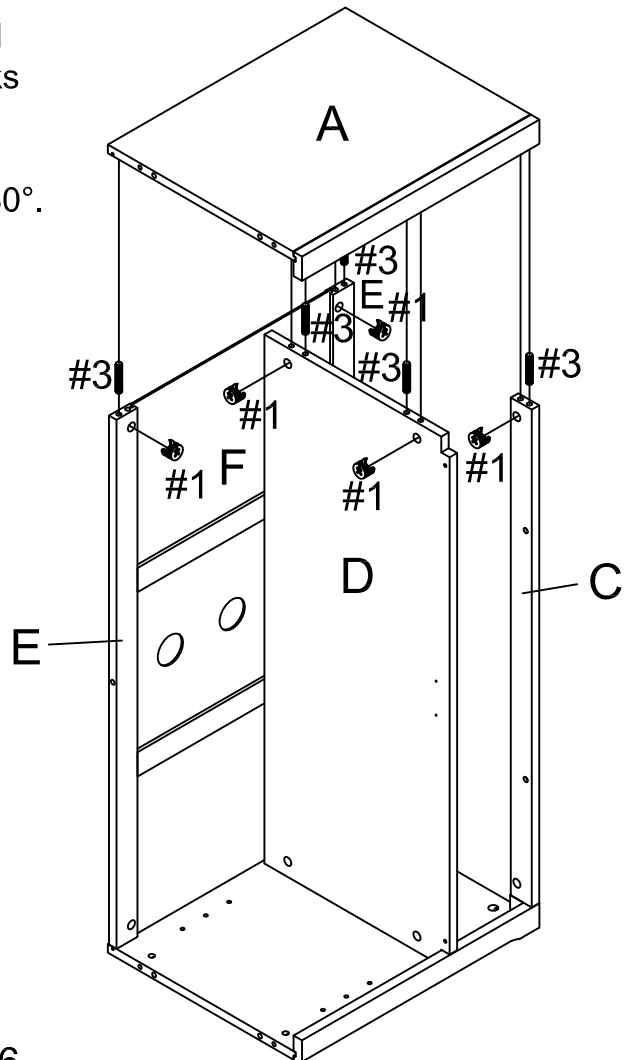
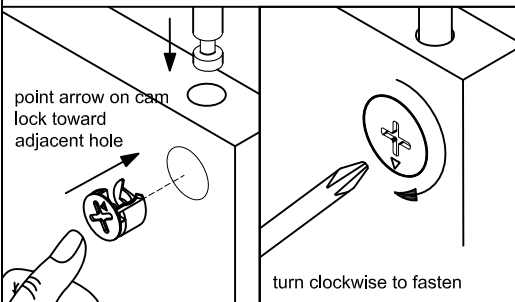
NOTE: Cam locks must rotate a full 180°. See pictured insert.





#1  x2  
 #3  x2

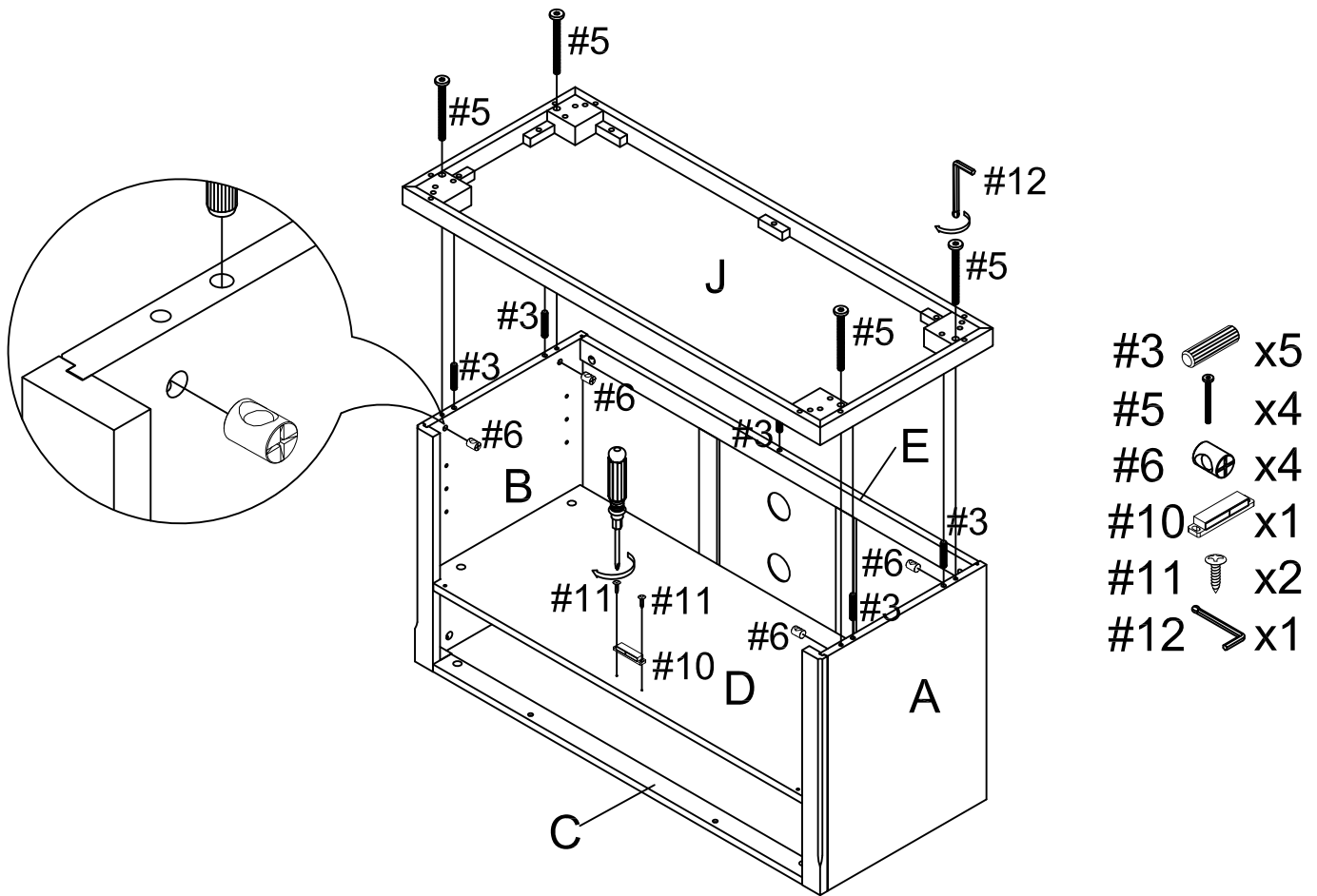
Step 6. Attach left panel (part A) to assembled unit (parts C, D, E & F) using cam locks (part #1) and wood dowels (part #3).

NOTE: Cam locks must rotate a full 180°. See pictured insert.

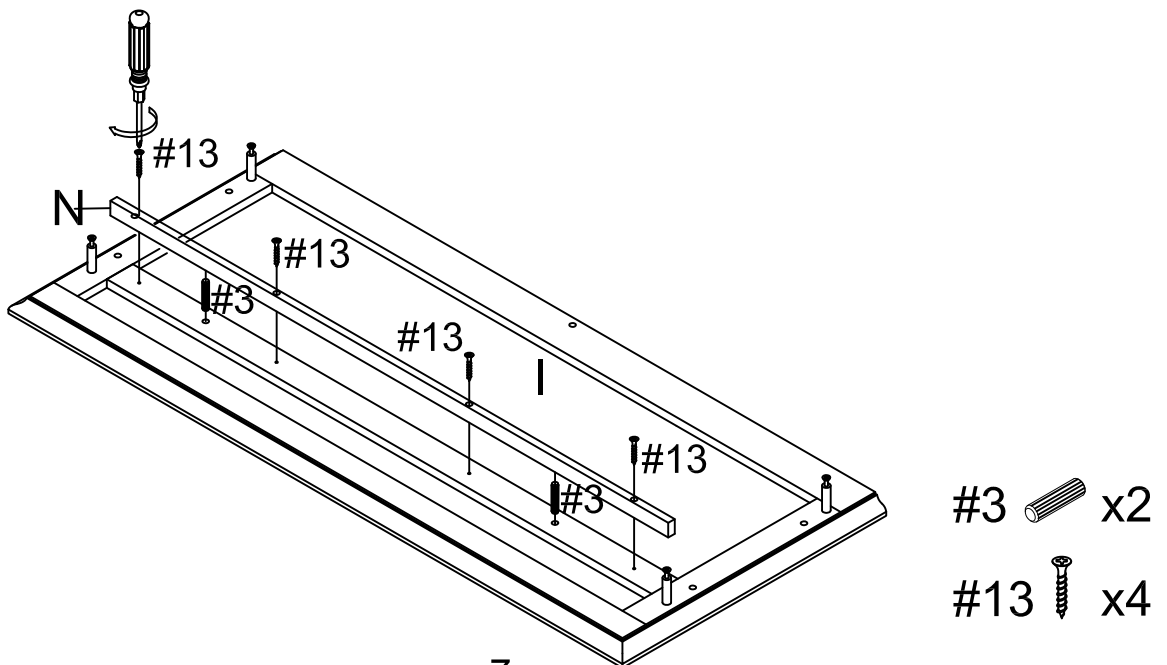


#1  x5  
 #3  x5

Step 7. Carefully turn unit upside down on a soft flat surface, such as carpet, as shown below. Attach bottom panel (part J) to assembled unit (parts A, B & E) using wood dowels (part #3), hex socket head bolts (part #5), barrel nuts (#6) and allen wrench (part #12). Attach double magnet (part #10) to fixed shelf (part D) using round head screws (part #11) and phillips head screwdriver. Attach legs using instruction manual and hardware included inside leg packaging.

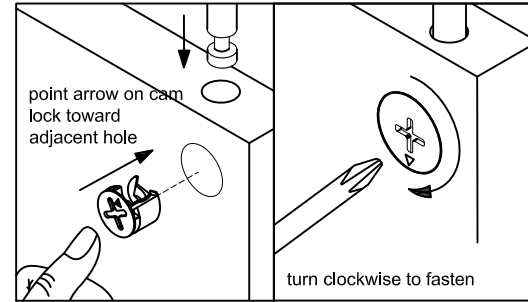
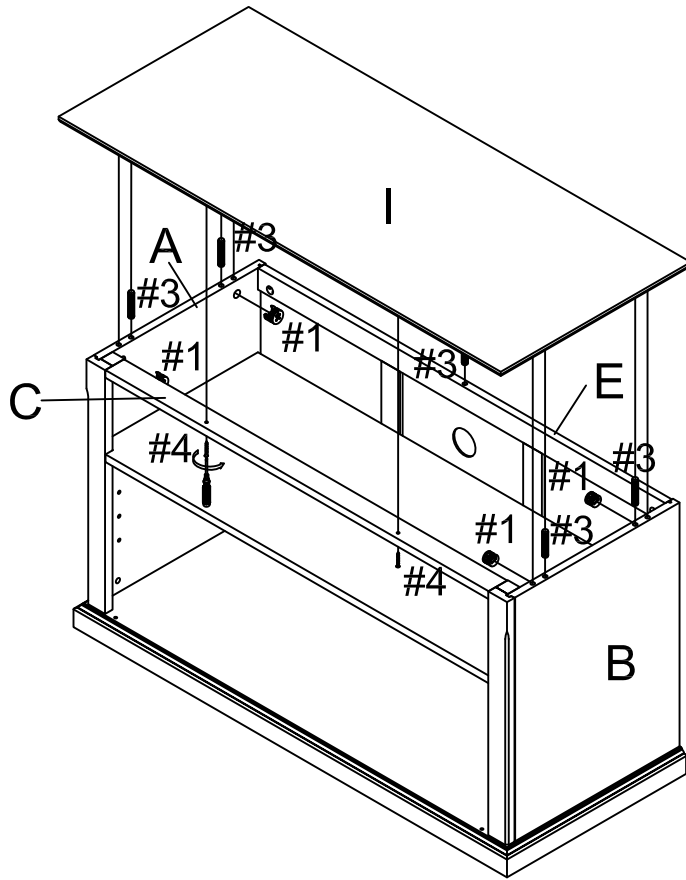





Step 8. Attach support rail (part N) to top panel (part I) using wood dowels (part #3), long screws (#13) and phillips head screwdriver.



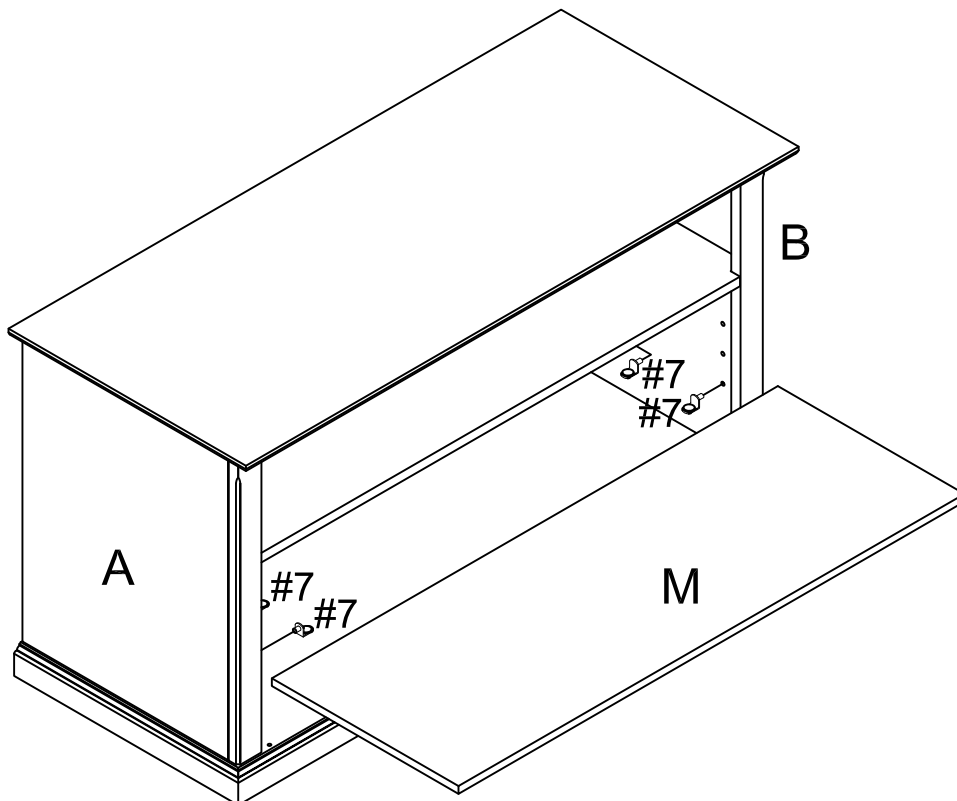
Step 9. Carefully turn unit upright. Attach top panel (part I) to assembled unit (parts A, B, C & E) using wood dowels (part #3), cam locks (part #1), screws (part #4) and phillips head screwdriver.

NOTE: Cam locks must rotate a full 180°. See pictured insert.



- #1  x4
- #3  x5
- #4  x2

Step 10. Place shelf holders (part #7) into desired position and then slide adjustable shelf (part M) into place.



- #7  x4



Step 11. Attach knobs (part #8) to door panels (parts K & L) using round head bolts (part #9) and phillips head screwdriver. Attach door panels (parts K & L) by placing bottom pin hinge (pre-installed in door) in the pre-drilled hole of bottom panel (part J). Then depress the top spring-loaded pin hinge so it can be placed in the pre-drilled hole of fixed shelf (part D).

NOTE: Be sure top and bottom pin hinges are fully extended to secure doors in place.

